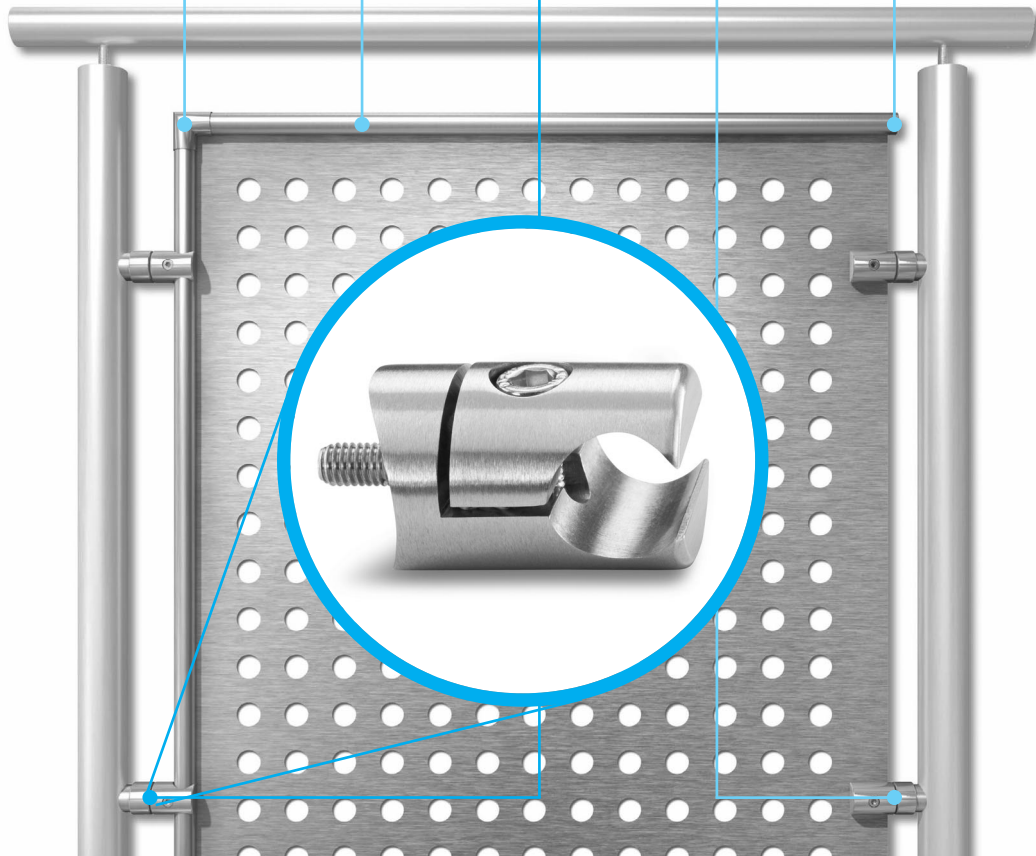


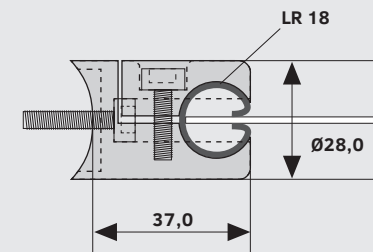
Corner connectors
Profile edgings
Profile brackets
Panel brackets
Profile end cap



Available materials



Stainless steel



Suitable for
profile edging LR 18
and post tube Ø 42,4 mm



WITH A SINGLE CLICK
TO OUR ACCESSORIES!

Discover the appropriate range of accessories online in our shop. Simply enter "Accessories" in the online search.